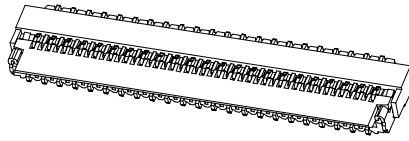


0.30mm(0.012") Pitch
FFC/FPC Connector

0003010

Right Angle, SMT
Flip-Lock Type



Specifications

Rating

Current Rating:0.2 Amp Max.
Voltage Rating:50V AC/DC Max.
Operating Temperature Range:-25~+85°C

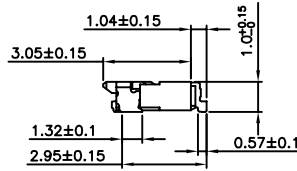
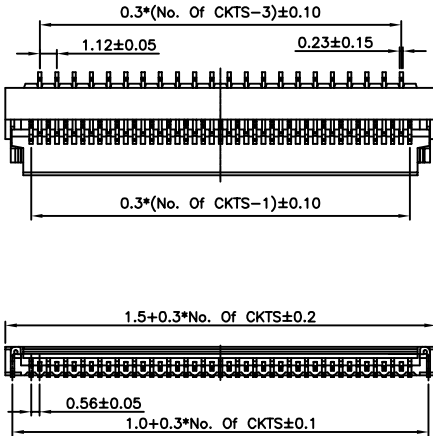
Electrical

Contact resistance:50m Ohm Max
Insulator resistance:500M ohm min.
Withstanding Voltage:150V AC/Minute

Material And Finish

Housing:LCP(UL94V-0) Natural
Cover(ZIF):LCP(UL94V-0) Black
Terminal:Phosphor Bronze,
Fitting Nail:Copper Alloy With Tin Plated.
Plating:Tin plated Over Nickel

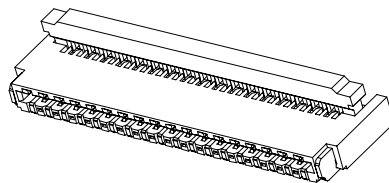
No.of CKTS	Part No.	No.of CKTS	Part No.
13	0003010-132307	45	0003010-452307
15	0003010-152307	47	0003010-472307
17	0003010-172307	49	0003010-492307
19	0003010-192307	51	0003010-512307
21	0003010-212307	53	0003010-532307
23	0003010-232307	55	0003010-552307
25	0003010-252307	57	0003010-572307
27	0003010-272307	59	0003010-592307
29	0003010-292307	61	0003010-612307
31	0003010-312307	63	0003010-632307
33	0003010-332307	65	0003010-652307
35	0003010-352307	67	0003010-672307
37	0003010-372307	69	0003010-692307
39	0003010-392307	71	0003010-712307
41	0003010-412307	73	0003010-732307
43	0003010-432307		



0.30mm(0.012") Pitch
FFC/FPC Connector

0003090

Right Angle, SMT
BackFlip-Lock Type



Specifications

Rating

Current Rating:0.2 Amp Max.
Voltage Rating:50V AC/DC Max.
Operating Temperature Range:-25~+85°C

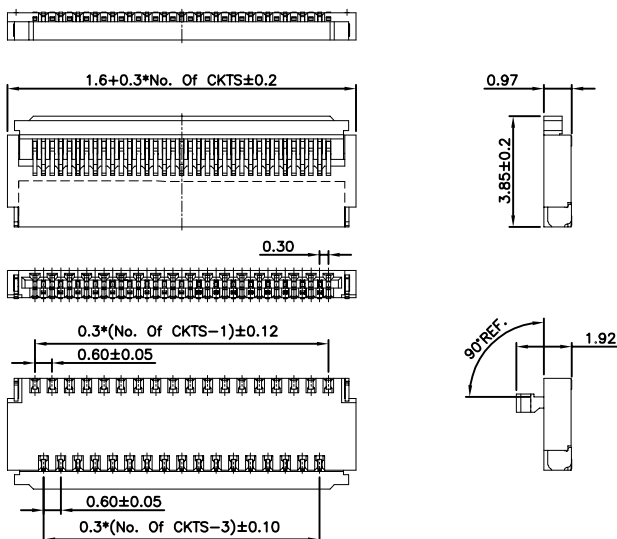
Electrical

Contact resistance:50m Ohm Max
Insulator resistance:500M ohm min.
Withstanding Voltage:150V AC/Minute

Material And Finish

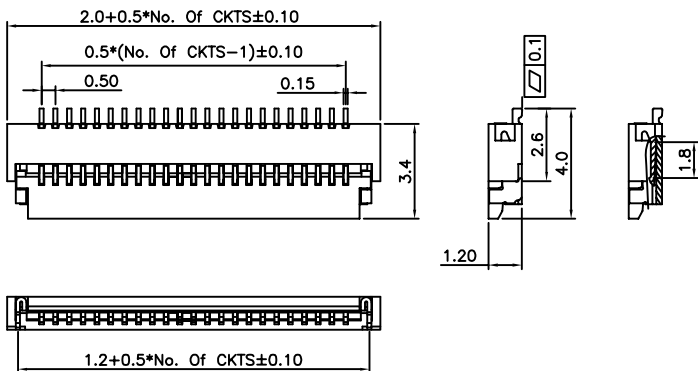
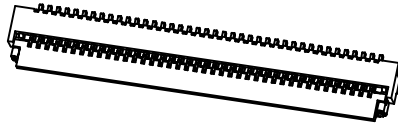
Housing:LCP(UL94V-0) Natural
Cover(ZIF):LCP(UL94V-0) Black
Terminal:Phosphor Bronze,
Fitting Nail:Copper Alloy With Tin Plated.
Plating:Tin plated Over Nickel

No.of CKTS	Part No.	No.of CKTS	Part No.
09	0003090-090327	41	0003090-410327
11	0003090-110327	43	0003090-430327
13	0003090-130327	45	0003090-450327
15	0003090-150327	47	0003090-470327
17	0003090-170327	49	0003090-490327
19	0003090-190327	51	0003090-510327
21	0003090-210327	53	0003090-530327
23	0003090-230327	55	0003090-550327
25	0003090-250327	57	0003090-570327
27	0003090-270327	59	0003090-590327
29	0003090-290327	61	0003090-610327
31	0003090-310327	63	0003090-630327
33	0003090-330327	65	0003090-650327
35	0003090-350327	67	0003090-670327
37	0003090-370327	69	0003090-690327
39	0003090-390327	71	0003090-710327



0.50mm(0.02") Pitch
FFC/FPC Connector

0005010
Right Angle, SMT
Flip-Lock Type



Specifications

Rating

Current Rating:0.5 Amp Max.
Voltage Rating:50V AC/DC Max.
Operating Temperature Range:-25~+85°C

Electrical

Contact resistance:20m Ohm Max
Insulator resistance:500M ohm min.
Withstanding Voltage:250V AC/Minute

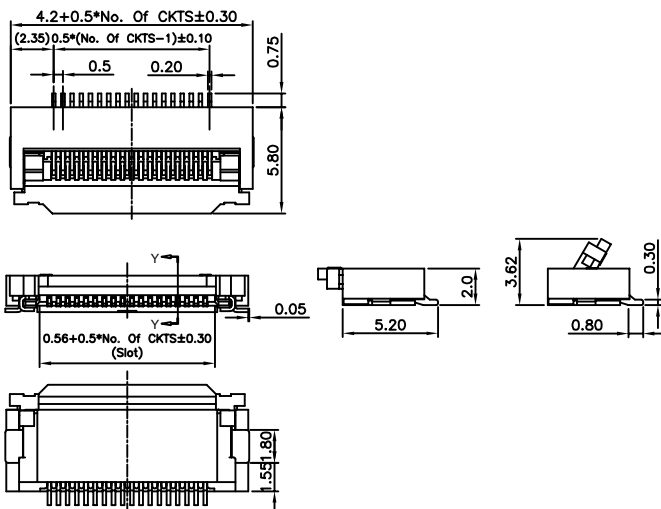
Material And Finish

Housing:LCP(UL94V-0) Natural
Cover(ZIF):LCP(UL94V-0) Black
Terminal:Phosphor Bronze,
Fitting Nail:Copper Alloy With Tin Plated.
Plating:Tin plated Over Nickel

No. of CKTS	Part No.	No. of CKTS	Part No.
04	0005010-040323	33	0005010-330323
05	0005010-050323	34	0005010-340323
06	0005010-060323	35	0005010-350323
07	0005010-070323	36	0005010-360323
08	0005010-080323	37	0005010-370323
09	0005010-090323	38	0005010-380323
10	0005010-100323	39	0005010-390323
11	0005010-110323	40	0005010-400323
12	0005010-120323	41	0005010-410323
13	0005010-130323	42	0005010-420323
14	0005010-140323	43	0005010-430323
15	0005010-150323	44	0005010-440323
16	0005010-160323	45	0005010-450323
17	0005010-170323	46	0005010-460323
18	0005010-180323	47	0005010-470323
19	0005010-190323	48	0005010-480323
20	0005010-200323	49	0005010-490323
21	0005010-210323	50	0005010-500323
22	0005010-220323	51	0005010-510323
23	0005010-230323	52	0005010-520323
24	0005010-240323	53	0005010-530323
25	0005010-250323	54	0005010-540323
26	0005010-260323	55	0005010-550323
27	0005010-270323	56	0005010-560323
28	0005010-280323	57	0005010-570323
29	0005010-290323	58	0005010-580323
30	0005010-300323	59	0005010-590323
31	0005010-310323	60	0005010-600323
32	0005010-320323		

0.50mm(0.02") Pitch
FFC/FPC Connector

0005040
Right Angle, SMT
Flip-Lock Type



Specifications

Rating

Current Rating:0.5 Amp Max.
Voltage Rating:50V AC/DC Max.
Operating Temperature Range:-25~+85°C

Electrical

Contact resistance:20m Ohm Max
Insulator resistance:500M ohm min.
Withstanding Voltage:250V AC/Minute

Material And Finish

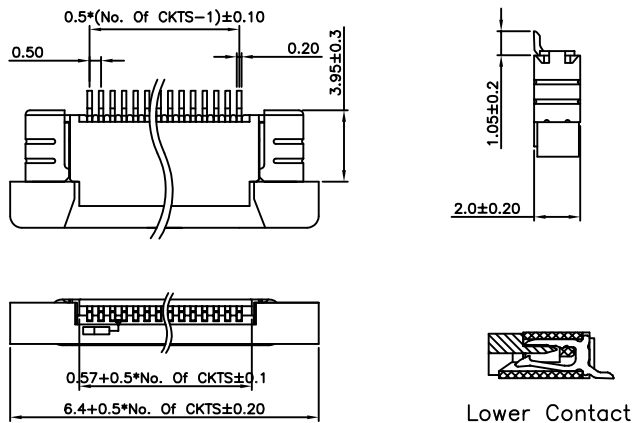
Housing:LCP(UL94V-0) Natural
Cover(ZIF):LCP(UL94V-0) Black
Terminal:Phosphor Bronze,
Fitting Nail:Copper Alloy With Tin Plated.
Plating:Tin plated Over Nickel

No. of CKTS	Part No.	No. of CKTS	Part No.
04	0005040-040323	33	0005040-330323
05	0005040-050323	34	0005040-340323
06	0005040-060323	35	0005040-350323
07	0005040-070323	36	0005040-360323
08	0005040-080323	37	0005040-370323
09	0005040-090323	38	0005040-380323
10	0005040-100323	39	0005040-390323
11	0005040-110323	40	0005040-400323
12	0005040-120323	41	0005040-410323
13	0005040-130323	42	0005040-420323
14	0005040-140323	43	0005040-430323
15	0005040-150323	44	0005040-440323
16	0005040-160323	45	0005040-450323
17	0005040-170323	46	0005040-460323
18	0005040-180323	47	0005040-470323
19	0005040-190323	48	0005040-480323
20	0005040-200323	49	0005040-490323
21	0005040-210323	50	0005040-500323
22	0005040-220323	51	0005040-510323
23	0005040-230323	52	0005040-520323
24	0005040-240323	53	0005040-530323
25	0005040-250323	54	0005040-540323
26	0005040-260323	55	0005040-550323
27	0005040-270323	56	0005040-560323
28	0005040-280323	57	0005040-570323
29	0005040-290323	58	0005040-580323
30	0005040-300323	59	0005040-590323
31	0005040-310323	60	0005040-600323
32	0005040-320323		

0.50mm(0.02") Pitch
FFC/FPC Connector

0005022

Right Angle, SMT
Lower Contact



Lower Contact

Specifications

Rating

Current Rating:0.5 Amp Max.
Voltage Rating:50V AC/DC Max.
Operating Temperature Range:-25~+85°C

Electrical

Contact resistance:20m Ohm Max
Insulator resistance:500M ohm min.
Withstanding Voltage:250V AC/Minute

Material And Finish

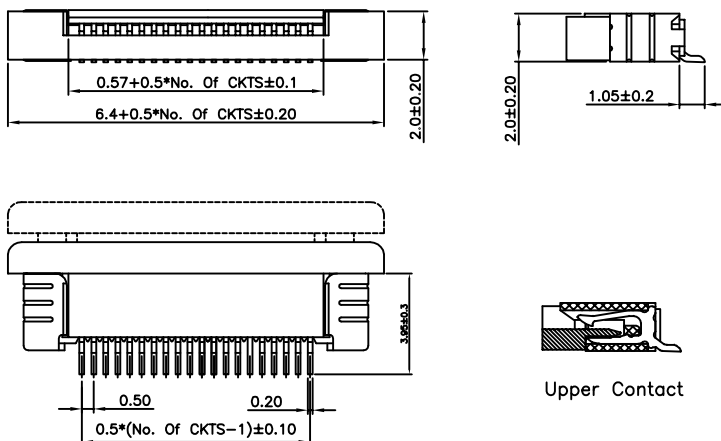
Housing:LCP(UL94V-0) Natural
Cover(ZIF):LCP(UL94V-0) Black
Terminal:Phosphor Bronze,
Fitting Nail:Copper Alloy With Tin Plated.
Plating:Tin plated Over Nickel

No.of CKTS	Part No.	No.of CKTS	Part No.
04	0005022-042323	35	0005022-352323
05	0005022-052323	36	0005022-362323
06	0005022-062323	37	0005022-372323
07	0005022-072323	38	0005022-382323
08	0005022-082323	39	0005022-392323
09	0005022-092323	40	0005022-402323
10	0005022-102323	41	0005022-412323
11	0005022-112323	42	0005022-422323
12	0005022-122323	43	0005022-432323
13	0005022-132323	44	0005022-442323
14	0005022-142323	45	0005022-452323
15	0005022-152323	46	0005022-462323
16	0005022-162323	47	0005022-472323
17	0005022-172323	48	0005022-482323
18	0005022-182323	49	0005022-492323
19	0005022-192323	50	0005022-502323
20	0005022-202323	51	0005022-512323
21	0005022-212323	52	0005022-522323
22	0005022-222323	53	0005022-532323
23	0005022-232323	54	0005022-542323
24	0005022-242323	55	0005022-552323
25	0005022-252323	56	0005022-562323
26	0005022-262323	57	0005022-572323
27	0005022-272323	58	0005022-582323
28	0005022-282323	59	0005022-592323
29	0005022-292323	60	0005022-602323
30	0005022-302323	61	0005022-612323
31	0005022-312323	62	0005022-622323
32	0005022-322323	63	0005022-632323
33	0005022-332323	64	0005022-642323
34	0005022-342323		

0.50mm(0.02") Pitch
FFC/FPC Connector

0005021

Right Angle, SMT
Upper Contact



Upper Contact

Specifications

Rating

Current Rating:0.5 Amp Max.
Voltage Rating:50V AC/DC Max.
Operating Temperature Range:-25~+85°C

Electrical

Contact resistance:20m Ohm Max
Insulator resistance:500M ohm min.
Withstanding Voltage:250V AC/Minute

Material And Finish

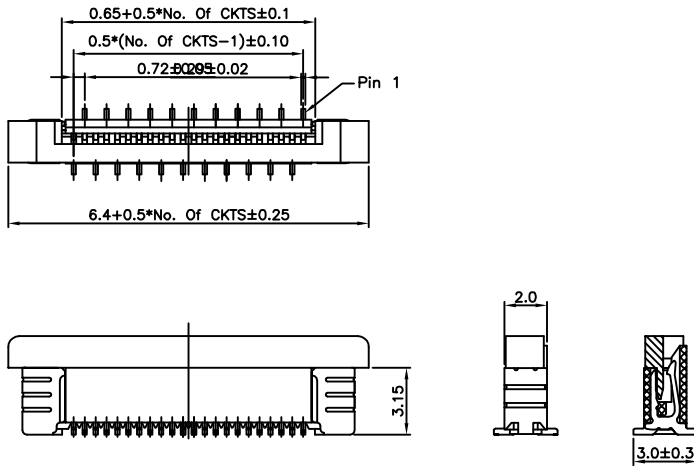
Housing:LCP(UL94V-0) Natural
Cover(ZIF):LCP(UL94V-0) Black
Terminal:Phosphor Bronze,
Fitting Nail:Copper Alloy With Tin Plated.
Plating:Tin plated Over Nickel

No.of CKTS	Part No.	No.of CKTS	Part No.
04	0005021-042323	35	0005021-352323
05	0005021-052323	36	0005021-362323
06	0005021-062323	37	0005021-372323
07	0005021-072323	38	0005021-382323
08	0005021-082323	39	0005021-392323
09	0005021-092323	40	0005021-402323
10	0005021-102323	41	0005021-412323
11	0005021-112323	42	0005021-422323
12	0005021-122323	43	0005021-432323
13	0005021-132323	44	0005021-442323
14	0005021-142323	45	0005021-452323
15	0005021-152323	46	0005021-462323
16	0005021-162323	47	0005021-472323
17	0005021-172323	48	0005021-482323
18	0005021-182323	49	0005021-492323
19	0005021-192323	50	0005021-502323
20	0005021-202323	51	0005021-512323
21	0005021-212323	52	0005021-522323
22	0005021-222323	53	0005021-532323
23	0005021-232323	54	0005021-542323
24	0005021-242323	55	0005021-552323
25	0005021-252323	56	0005021-562323
26	0005021-262323	57	0005021-572323
27	0005021-272323	58	0005021-582323
28	0005021-282323	59	0005021-592323
29	0005021-292323	60	0005021-602323
30	0005021-302323	61	0005021-612323
31	0005021-312323	62	0005021-622323
32	0005021-322323	63	0005021-632323
33	0005021-332323	64	0005021-642323
34	0005021-342323		

0.50mm(0.02") Pitch
FFC/FPC Connector

0005093

Vertical, SMT
Normal Type



Specifications

Rating

Current Rating:0.5 Amp Max.
Voltage Rating:50V AC/DC Max.
Operating Temperature Range:-25~+85°C

Electrical

Contact resistance:20m Ohm Max
Insulator resistance:500M ohm min.
Withstanding Voltage:250V AC/Minute

Material And Finish

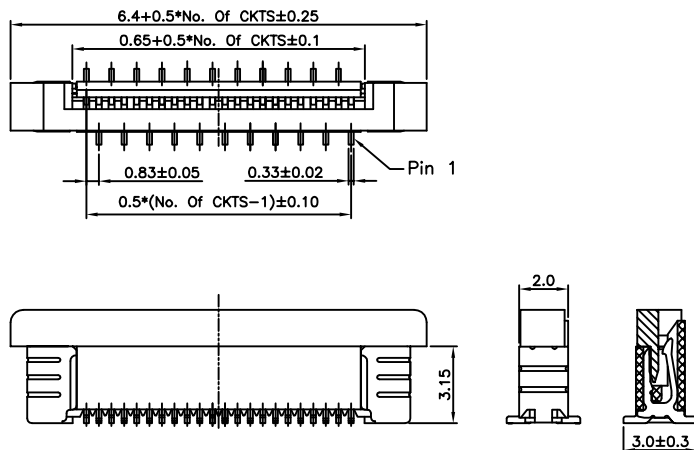
Housing:LCP UL94V-0 Natural
Cover(ZIF):LCP UL94V-0 Black
Terminal:Phosphor Bronze,
Fitting Nail:Copper Alloy With Tin Plated.
Plating:Tin plated Over Nickel

No.of CKTS	Part No.	No.of CKTS	Part No.
04	0005093-042325	33	0005093-332325
05	0005093-052325	34	0005093-342325
06	0005093-062325	35	0005093-352325
07	0005093-072325	36	0005093-362325
08	0005093-082325	37	0005093-372325
09	0005093-092325	38	0005093-382325
10	0005093-102325	39	0005093-392325
11	0005093-112325	40	0005093-402325
12	0005093-122325	41	0005093-412325
13	0005093-132325	42	0005093-422325
14	0005093-142325	43	0005093-432325
15	0005093-152325	44	0005093-442325
16	0005093-162325	45	0005093-452325
17	0005093-172325	46	0005093-462325
18	0005093-182325	47	0005093-472325
19	0005093-192325	48	0005093-482325
20	0005093-202325	49	0005093-492325
21	0005093-212325	50	0005093-502325
22	0005093-222325	51	0005093-512325
23	0005093-232523	52	0005093-522325
24	0005093-242325	53	0005093-532325
25	0005093-252325	54	0005093-542325
26	0005093-262325	55	0005093-552325
27	0005093-272325	56	0005093-562325
28	0005093-282325	57	0005093-572325
29	0005093-292325	58	0005093-582325
30	0005093-302325	59	0005093-592325
31	0005093-312325	60	0005093-602325
32	0005093-322325		

0.50mm(0.02") Pitch
FFC/FPC Connector

0005094

Vertical, SMT
Reverse Type



Specifications

Rating

Current Rating:0.5 Amp Max.
Voltage Rating:50V AC/DC Max.
Operating Temperature Range:-25~+85°C

Electrical

Contact resistance:20m Ohm Max
Insulator resistance:500M ohm min.
Withstanding Voltage:250V AC/Minute

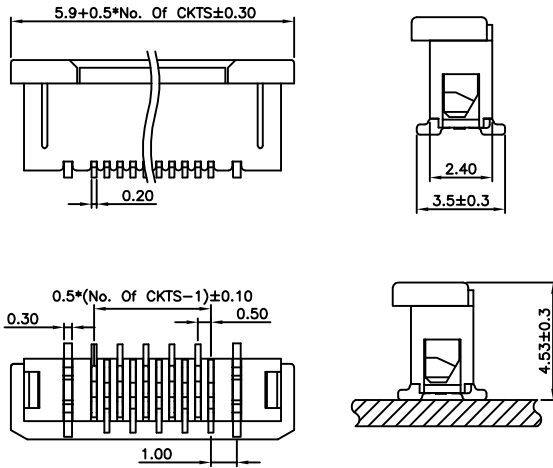
Material And Finish

Housing:LCP UL94V-0 Natural
Cover(ZIF):LCP UL94V-0 Black
Terminal:Phosphor Bronze,
Fitting Nail:Copper Alloy With Tin Plated.
Plating:Tin plated Over Nickel

No.of CKTS	Part No.	No.of CKTS	Part No.
04	0005094-042325	33	0005094-332325
05	0005094-052325	34	0005094-342325
06	0005094-062325	35	0005094-352325
07	0005094-072325	36	0005094-362325
08	0005094-082325	37	0005094-372325
09	0005094-092325	38	0005094-382325
10	0005094-102325	39	0005094-392325
11	0005094-112325	40	0005094-402325
12	0005094-122325	41	0005094-412325
13	0005094-132325	42	0005094-422325
14	0005094-142325	43	0005094-432325
15	0005094-152325	44	0005094-442325
16	0005094-162325	45	0005094-452325
17	0005094-172325	46	0005094-462325
18	0005094-182325	47	0005094-472325
19	0005094-192325	48	0005094-482325
20	0005094-202325	49	0005094-492325
21	0005094-212325	50	0005094-502325
22	0005094-222325	51	0005094-512325
23	0005094-232523	52	0005094-522325
24	0005094-242325	53	0005094-532325
25	0005094-252325	54	0005094-542325
26	0005094-262325	55	0005094-552325
27	0005094-272325	56	0005094-562325
28	0005094-282325	57	0005094-572325
29	0005094-292325	58	0005094-582325
30	0005094-302325	59	0005094-592325
31	0005094-312325	60	0005094-602325
32	0005094-322325		

0.50mm(0.02") Pitch
FFC/FPC Connector

0005033
Vertical, SMT
Normal Type



Specifications

Rating

Current Rating:0.5 Amp Max.
Voltage Rating:50V AC/DC Max.
Operating Temperature Range:-25~+85°C

Electrical

Contact resistance:20m Ohm Max
Insulator resistance:500M ohm min.
Withstanding Voltage:250V AC/Minute

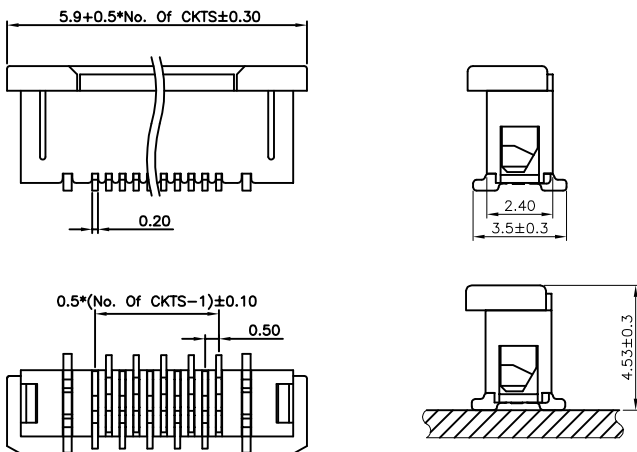
Material And Finish

Housing:LCP UL94V-0 Natural
Cover(ZIF):LCP UL94V-0 Black
Terminal:Phosphor Bronze,
Fitting Nail:Copper Alloy With Tin Plated.
Plating:Tin plated Over Nickel

No.of CKTS	Part No.	No.of CKTS	Part No.
04	0005033-042325	35	0005033-352325
05	0005033-052325	36	0005033-362325
06	0005033-062325	37	0005033-372325
07	0005033-072325	38	0005033-382325
08	0005033-082325	39	0005033-392325
09	0005033-092325	40	0005033-402325
10	0005033-102325	41	0005033-412325
11	0005033-112325	42	0005033-422325
12	0005033-122325	43	0005033-432325
13	0005033-132325	44	0005033-442325
14	0005033-142325	45	0005033-452325
15	0005033-152325	46	0005033-462325
16	0005033-162325	47	0005033-472325
17	0005033-172325	48	0005033-482325
18	0005033-182325	49	0005033-492325
19	0005033-192325	50	0005033-502325
20	0005033-202325	51	0005033-512325
21	0005033-212325	52	0005033-522325
22	0005033-222325	53	0005033-532325
23	0005033-232523	54	0005033-542325
24	0005033-242325	55	0005033-552325
25	0005033-252325	56	0005033-562325
26	0005033-262325	57	0005033-572325
27	0005033-272325	58	0005033-582325
28	0005033-282325	59	0005033-592325
29	0005033-292325	60	0005033-602325
30	0005033-302325	61	0005033-612325
31	0005033-312325	62	0005033-622325
32	0005033-322325	63	0005033-632325
33	0005033-332325	64	0005033-642325
34	0005033-342325		

0.50mm(0.02") Pitch
FFC/FPC Connector

0005034
Vertical, SMT
Reverse Type



Specifications

Rating

Current Rating:0.5 Amp Max.
Voltage Rating:50V AC/DC Max.
Operating Temperature Range:-25~+85°C

Electrical

Contact resistance:20m Ohm Max
Insulator resistance:500M ohm min.
Withstanding Voltage:250V AC/Minute

Material And Finish

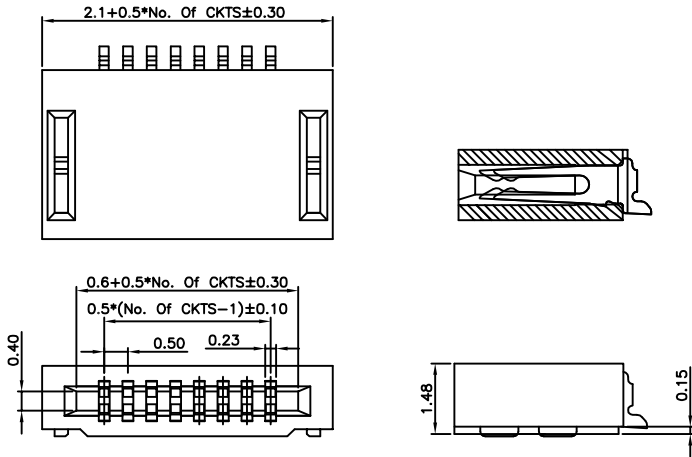
Housing:LCP UL94V-0 Natural
Cover(ZIF):LCP UL94V-0 Black
Terminal:Phosphor Bronze,
Fitting Nail:Copper Alloy With Tin Plated.
Plating:Tin plated Over Nickel

No.of CKTS	Part No.	No.of CKTS	Part No.
04	0005034-042325	35	0005034-352325
05	0005034-052325	36	0005034-362325
06	0005034-062325	37	0005034-372325
07	0005034-072325	38	0005034-382325
08	0005034-082325	39	0005034-392325
09	0005034-092325	40	0005034-402325
10	0005034-102325	41	0005034-412325
11	0005034-112325	42	0005034-422325
12	0005034-122325	43	0005034-432325
13	0005034-132325	44	0005034-442325
14	0005034-142325	45	0005034-452325
15	0005034-152325	46	0005034-462325
16	0005034-162325	47	0005034-472325
17	0005034-172325	48	0005034-482325
18	0005034-182325	49	0005034-492325
19	0005034-192325	50	0005034-502325
20	0005034-202325	51	0005034-512325
21	0005034-212325	52	0005034-522325
22	0005034-222325	53	0005034-532325
23	0005034-232523	54	0005034-542325
24	0005034-242325	55	0005034-552325
25	0005034-252325	56	0005034-562325
26	0005034-262325	57	0005034-572325
27	0005034-272325	58	0005034-582325
28	0005034-282325	59	0005034-592325
29	0005034-292325	60	0005034-602325
30	0005034-302325	61	0005034-612325
31	0005034-312325	62	0005034-622325
32	0005034-322325	63	0005034-632325
33	0005034-332325	64	0005034-642325
34	0005034-342325		

0.50mm(0.02") Pitch
FFC/FPC Connector

0005061

Right Angle, SMT
Double Contact



Specifications

Rating

Current Rating:0.5 Amp Max.
Voltage Rating:50V AC/DC Max.
Operating Temperature Range:-25°~+85°C

Electrical

Contact resistance:20m Ohm Max
Insulator resistance:500M ohm min.
Withstanding Voltage:250V AC/Minute

Material And Finish

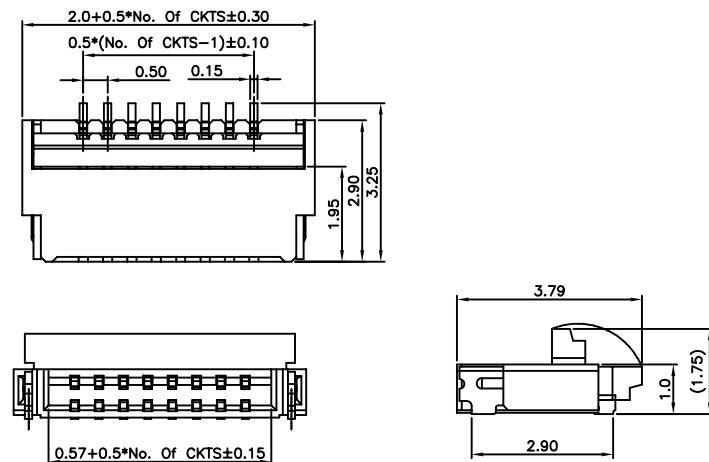
Housing:LCP UL94V-0 Natural
Cover(ZIF):LCP UL94V-0 Black
Terminal:Phosphor Bronze,
Fitting Nail:Copper Alloy With Tin Plated.
Plating:Tin plated Over Nickel

No.of CKTS	Part No.	No.of CKTS	Part No.
04	0005061-042323	28	0005061-282323
05	0005061-052323	29	0005061-292323
06	0005061-062323	30	0005061-302323
07	0005061-072323	31	0005061-312323
08	0005061-082323	32	0005061-322323
09	0005061-092323	33	0005061-332323
10	0005061-102323	34	0005061-342323
11	0005061-112323	35	0005061-352323
12	0005061-122323	36	0005061-362323
13	0005061-132323	37	0005061-372323
14	0005061-142323	38	0005061-382323
15	0005061-152323	39	0005061-392323
16	0005061-162323	40	0005061-402323
17	0005061-172323	41	0005061-412323
18	0005061-182323	42	0005061-422323
19	0005061-192323	43	0005061-432323
20	0005061-202323	44	0005061-442323
21	0005061-212323	45	0005061-452323
22	0005061-222323	46	0005061-462323
23	0005061-232323	47	0005061-472323
24	0005061-242323	48	0005061-482323
25	0005061-252323	49	0005061-492323
26	0005061-262323	50	0005061-502323
27	0005061-272323		

0.50mm(0.02") Pitch
FFC/FPC Connector

0005050

Right Angle, SMT
BackFlip-Lock Type



Specifications

Rating

Current Rating:0.5 Amp Max.
Voltage Rating:50V AC/DC Max.
Operating Temperature Range:-25°~+85°C

Electrical

Contact resistance:20m Ohm Max
Insulator resistance:500M ohm min.
Withstanding Voltage:250V AC/Minute

Material And Finish

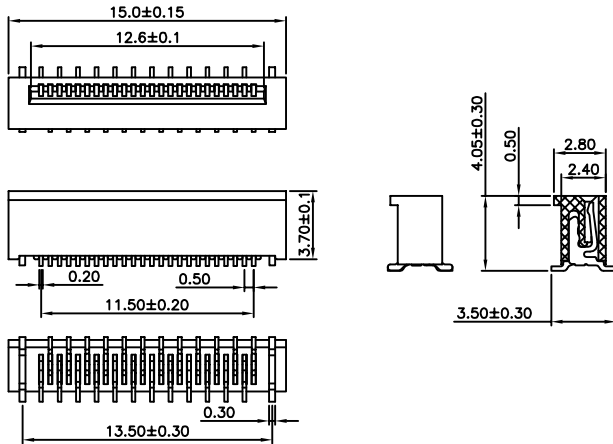
Housing:LCP UL94V-0 Natural
Cover(ZIF):LCP UL94V-0 Black
Terminal:Phosphor Bronze,
Fitting Nail:Copper Alloy With Tin Plated.
Plating:Tin plated Over Nickel

No.of CKTS	Part No.	No.of CKTS	Part No.
04	0005050-040323	23	0005050-032323
06	0005050-060323	24	0005050-240323
07	0005050-070323	26	0005050-260323
08	0005050-080323	30	0005050-300323
10	0005050-100323	32	0005050-320323
12	0005050-120323	34	0005050-340323
14	0005050-140323	40	0005050-400323
16	0005050-160323	45	0005050-450323
20	0005050-200323	50	0005050-500323
22	0005050-220323		

0.50mm(0.02") Pitch
FFC/FPC Connector

0005084

Vertical, SMT
Normal Type



Specifications

Rating

Current Rating:0.5 Amp Max.
Voltage Rating:50V AC/DC Max.
Operating Temperature Range:-25~+85°C

Electrical

Contact resistance:20m Ohm Max
Insulator resistance:500M ohm min.
Withstanding Voltage:250V AC/Minute

Material And Finish

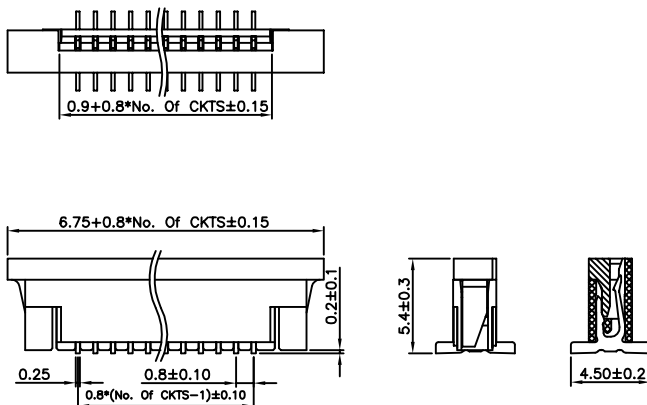
Housing:LCP UL94V-0 Natural
Terminal:Phosphor Bronze,
Fitting Nail:Copper Alloy With Tin Plated.
Plating:Tin plated Over Nickel

No.of CKTS	Part No.
24	0005084-242325

0.80mm(0.032") Pitch
FFC/FPC Connector

0008153

Vertical, SMT
Normal Type



Specifications

Rating

Current Rating:0.5 Amp Max.
Voltage Rating:50V AC/DC Max.
Operating Temperature Range:-25~+85°C

Electrical

Contact resistance:20m Ohm Max
Insulator resistance:500M ohm min.
Withstanding Voltage:250V AC/Minute

Material And Finish

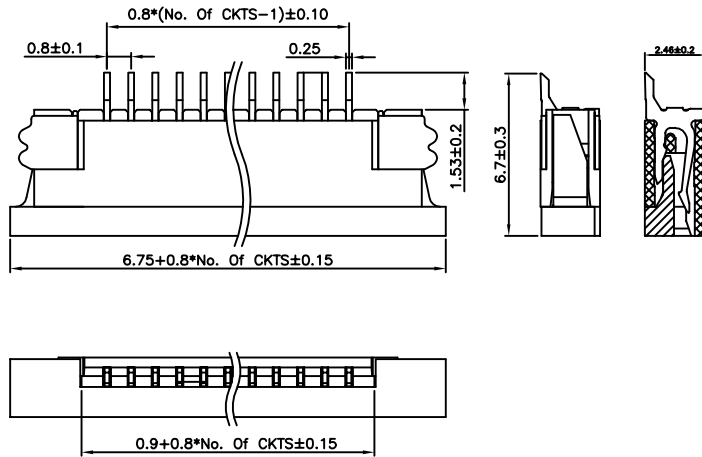
Housing:LCP UL94V-0 Natural
Cover(ZIF):LCP UL94V-0 Black
Terminal:Phosphor Bronze,
Plating:Tin plated Over Nickel

No.of CKTS	Part No.	No.of CKTS	Part No.
04	0008153-042325	22	0008153-222325
05	0008153-052325	23	0008153-232523
06	0008153-062325	24	0008153-242325
07	0008153-072325	25	0008153-252325
08	0008153-082325	26	0008153-262325
09	0008153-092325	27	0008153-272325
10	0008153-102325	28	0008153-282325
11	0008153-112325	29	0008153-292325
12	0008153-122325	30	0008153-302325
13	0008153-132325	31	0008153-312325
14	0008153-142325	32	0008153-322325
15	0008153-152325	33	0008153-332325
16	0008153-162325	34	0008153-342325
17	0008153-172325	35	0008153-352325
18	0008153-182325	36	0008153-362325
19	0008153-192325	37	0008153-372325
20	0008153-202325	38	0008153-382325
21	0008153-212325		

0.80mm(0.032") Pitch
FFC/FPC Connector

0008161

Right Angle, SMT
Upper Contact



Specifications

Rating

Current Rating:0.5 Amp Max.
Voltage Rating:50V AC/DC Max.
Operating Temperature Range:-25~+85°C

Electrical

Contact resistance:20m Ohm Max
Insulator resistance:500M ohm min.
Withstanding Voltage:250V AC/Minute

Material And Finish

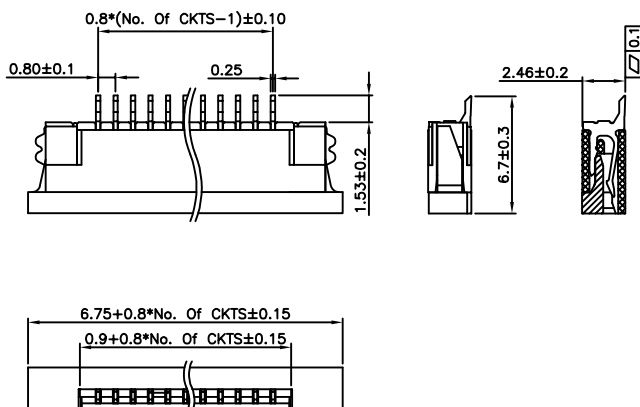
Housing:LCP UL94V-0 Natural
Cover(ZIF):LCP UL94V-0 Black
Terminal:Phosphor Bronze,
Plating:Tin plated Over Nickel

No.of CKTS	Part No.	No.of CKTS	Part No.
04	0008161-042323	22	0008161-222323
05	0008161-052323	23	0008161-232323
06	0008161-062323	24	0008161-242323
07	0008161-072323	25	0008161-252323
08	0008161-082323	26	0008161-262323
09	0008161-092323	27	0008161-272323
10	0008161-102323	28	0008161-282323
11	0008161-112323	29	0008161-292323
12	0008161-122323	30	0008161-302323
13	0008161-132323	31	0008161-312323
14	0008161-142323	32	0008161-322323
15	0008161-152323	33	0008161-332323
16	0008161-162323	34	0008161-342323
17	0008161-172323	35	0008161-352323
18	0008161-182323	36	0008161-362323
19	0008161-192323	37	0008161-372323
20	0008161-202323	38	0008161-382323
21	0008161-212323		

0.80mm(0.032") Pitch
FFC/FPC Connector

0008162

Right Angle, SMT
Lower Contact



Specifications

Rating

Current Rating:0.5 Amp Max.
Voltage Rating:50V AC/DC Max.
Operating Temperature Range:-25~+85°C

Electrical

Contact resistance:20m Ohm Max
Insulator resistance:500M ohm min.
Withstanding Voltage:250V AC/Minute

Material And Finish

Housing:LCP UL94V-0 Natural
Cover(ZIF):LCP UL94V-0 Black
Terminal:Phosphor Bronze,
Plating:Tin plated Over Nickel

No.of CKTS	Part No.	No.of CKTS	Part No.
04	0008162-042323	22	0008162-222323
05	0008162-052323	23	0008162-232323
06	0008162-062323	24	0008162-242323
07	0008162-072323	25	0008162-252323
08	0008162-082323	26	0008162-262323
09	0008162-092323	27	0008162-272323
10	0008162-102323	28	0008162-282323
11	0008162-112323	29	0008162-292323
12	0008162-122323	30	0008162-302323
13	0008162-132323	31	0008162-312323
14	0008162-142323	32	0008162-322323
15	0008162-152323	33	0008162-332323
16	0008162-162323	34	0008162-342323
17	0008162-172323	35	0008162-352323
18	0008162-182323	36	0008162-362323
19	0008162-192323	37	0008162-372323
20	0008162-202323	38	0008162-382323
21	0008162-212323		

0.80mm(0.032") Pitch
FFC/FPC Connector

0008171

Right Angle, SMT
Upper Contact

Specifications

Rating

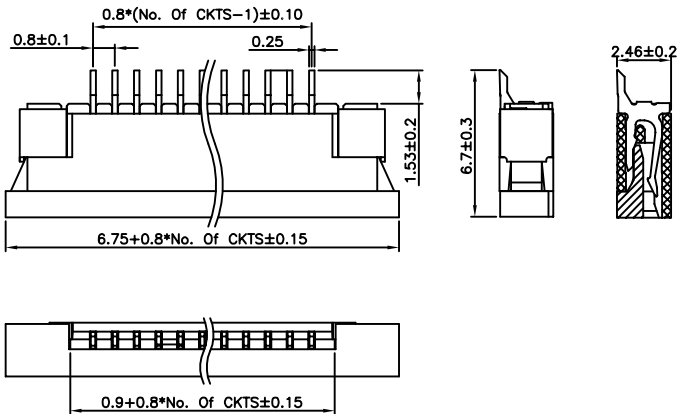
Current Rating:0.5 Amp Max.
Voltage Rating:50V AC/DC Max.
Operating Temperature Range:-25~+85°C

Electrical

Contact resistance:20m Ohm Max
Insulator resistance:500M ohm min.
Withstanding Voltage:250V AC/Minute

Material And Finish

Housing:LCP UL94V-0 Natural
Cover(ZIF):LCP UL94V-0 Black
Terminal:Phosphor Bronze,
Plating:Tin plated Over Nickel



No. of CKTS	Part No.	No. of CKTS	Part No.
04	0008171-042323	22	0008171-222323
05	0008171-052323	23	0008171-232323
06	0008171-062323	24	0008171-242323
07	0008171-072323	25	0008171-252323
08	0008171-082323	26	0008171-262323
09	0008171-092323	27	0008171-272323
10	0008171-102323	28	0008171-282323
11	0008171-112323	29	0008171-292323
12	0008171-122323	30	0008171-302323
13	0008171-132323	31	0008171-312323
14	0008171-142323	32	0008171-322323
15	0008171-152323	33	0008171-332323
16	0008171-162323	34	0008171-342323
17	0008171-172323	35	0008171-352323
18	0008171-182323	36	0008171-362323
19	0008171-192323	37	0008171-372323
20	0008171-202323	38	0008171-382323
21	0008171-212323		

0.80mm(0.032") Pitch
FFC/FPC Connector

0008172

Right Angle, SMT
Lower Contact

Specifications

Rating

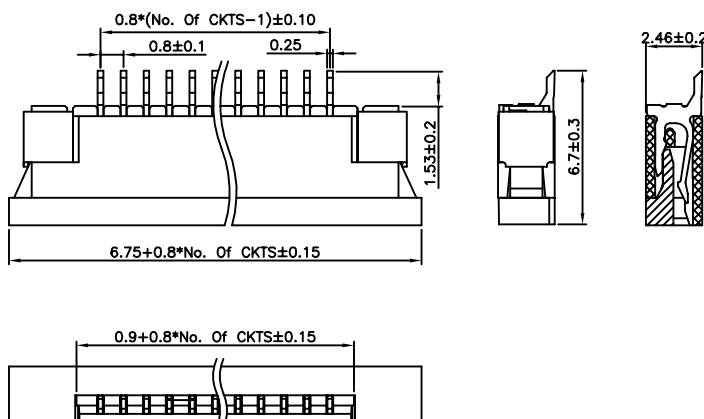
Current Rating:0.5 Amp Max.
Voltage Rating:50V AC/DC Max.
Operating Temperature Range:-25~+85°C

Electrical

Contact resistance:20m Ohm Max
Insulator resistance:500M ohm min.
Withstanding Voltage:250V AC/Minute

Material And Finish

Housing:LCP UL94V-0 Natural
Cover(ZIF):LCP UL94V-0 Black
Terminal:Phosphor Bronze,
Plating:Tin plated Over Nickel

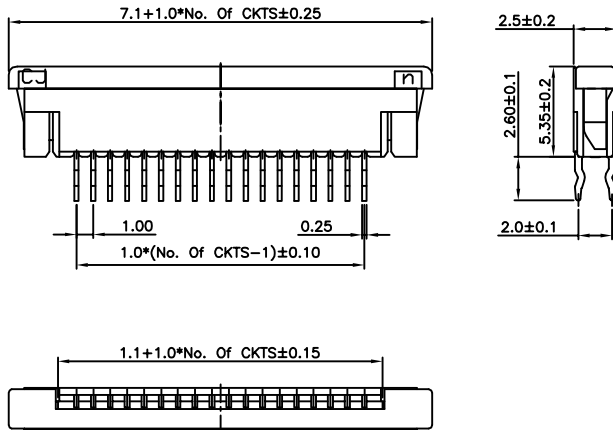


No. of CKTS	Part No.	No. of CKTS	Part No.
04	0008172-042323	22	0008172-222323
05	0008172-052323	23	0008172-232323
06	0008172-062323	24	0008172-242323
07	0008172-072323	25	0008172-252323
08	0008172-082323	26	0008172-262323
09	0008172-092323	27	0008172-272323
10	0008172-102323	28	0008172-282323
11	0008172-112323	29	0008172-292323
12	0008172-122323	30	0008172-302323
13	0008172-132323	31	0008172-312323
14	0008172-142323	32	0008172-322323
15	0008172-152323	33	0008172-332323
16	0008172-162323	34	0008172-342323
17	0008172-172323	35	0008172-352323
18	0008172-182323	36	0008172-362323
19	0008172-192323	37	0008172-372323
20	0008172-202323	38	0008172-382323
21	0008172-212323		

1.00mm(0.039") Pitch
FFC/FPC Connector

0010105

Vertical, ZIF



Specifications

Rating

Current Rating:0.5 Amp Max.
Voltage Rating:50V AC/DC Max.
Operating Temperature Range:-25°~+85°C

Electrical

Contact resistance:20m Ohm Max
Insulator resistance:500M ohm min.
Withstanding Voltage:250V AC/Minute

Material And Finish

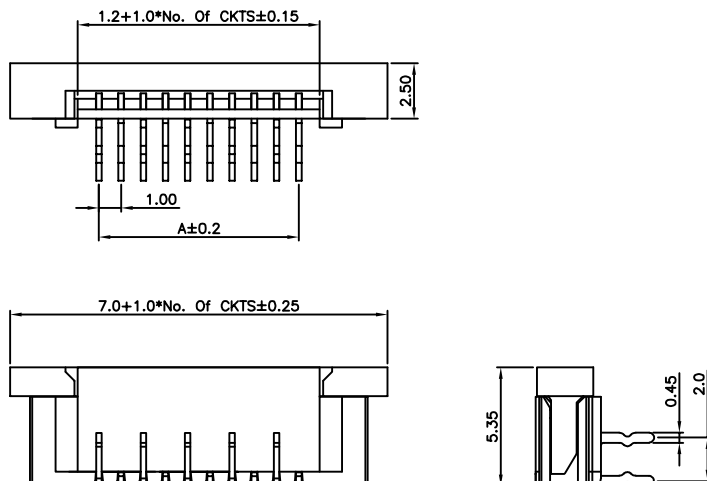
Housing:LCP UL94V-0 Natural
Cover(ZIF):LCP UL94V-0 Black
Terminal:Phosphor Bronze,
Plating:Tin plated Over Nickel

No. of CKTS	Part No.	No. of CKTS	Part No.
04	0010105-042321	20	0010105-202321
05	0010105-052321	21	0010105-212321
06	0010105-062321	22	0010105-222321
07	0010105-072321	23	0010105-232123
08	0010105-082321	24	0010105-242321
09	0010105-092321	25	0010105-252321
10	0010105-102321	26	0010105-262321
11	0010105-112321	27	0010105-272321
12	0010105-122321	28	0010105-282321
13	0010105-132321	29	0010105-292321
14	0010105-142321	30	0010105-302321
15	0010105-152321	31	0010105-312321
16	0010105-162321	32	0010105-322321
17	0010105-172321	33	0010105-332321
18	0010105-182321	34	0010105-342321
19	0010105-192321	35	0010105-352321

1.00mm(0.039") Pitch
FFC/FPC Connector

0010106

Right Angle, ZIF



Specifications

Rating

Current Rating:0.5 Amp Max.
Voltage Rating:50V AC/DC Max.
Operating Temperature Range:-25°~+85°C

Electrical

Contact resistance:20m Ohm Max
Insulator resistance:500M ohm min.
Withstanding Voltage:250V AC/Minute

Material And Finish

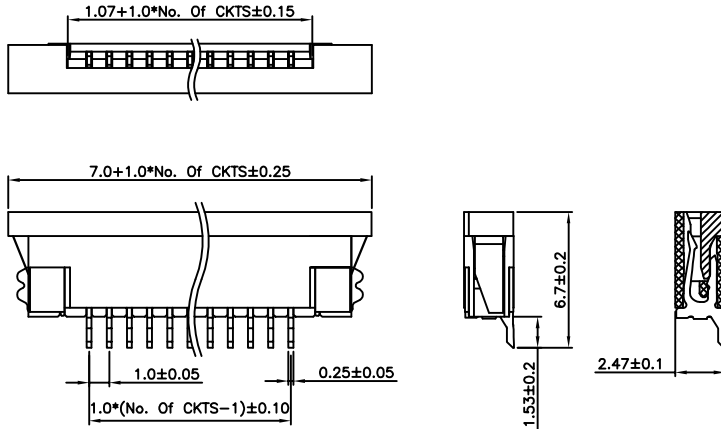
Housing:LCP UL94V-0 Natural
Cover(ZIF):LCP UL94V-0 Black
Terminal:Phosphor Bronze,
Plating:Tin plated Over Nickel

No. of CKTS	Part No.	No. of CKTS	Part No.
04	0010106-042321	18	0010106-182321
05	0010106-052321	19	0010106-192321
06	0010106-062321	20	0010106-202321
07	0010106-072321	21	0010106-212321
08	0010106-082321	22	0010106-222321
09	0010106-092321	23	0010106-232123
10	0010106-102321	24	0010106-242321
11	0010106-112321	25	0010106-252321
12	0010106-122321	26	0010106-262321
13	0010106-132321	27	0010106-272321
14	0010106-142321	28	0010106-282321
15	0010106-152321	29	0010106-292321
16	0010106-162321	30	0010106-302321
17	0010106-172321		

1.00mm(0.039") Pitch
FFC/FPC Connector

0010111

Right Angle, SMT
Upper Contact



Specifications

Rating

Current Rating:0.5 Amp Max.
Voltage Rating:50V AC/DC Max.
Operating Temperature Range:-25°~+85°C

Electrical

Contact resistance:20m Ohm Max
Insulator resistance:500M ohm min.
Withstanding Voltage:250V AC/Minute

Material And Finish

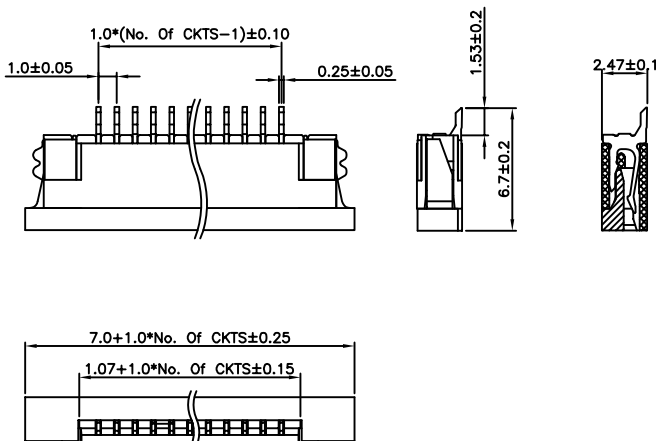
Housing:LCP UL94V-0 Natural
Cover(ZIF):LCP UL94V-0 Black
Terminal:Phosphor Bronze,
Plating:Tin plated Over Nickel

No.of CKTS	Part No.	No.of CKTS	Part No.
04	0010111-042323	19	0010111-192323
05	0010111-052323	20	0010111-202323
06	0010111-062323	21	0010111-212323
07	0010111-072323	22	0010111-222323
08	0010111-082323	23	0010111-232323
09	0010111-092323	24	0010111-242323
10	0010111-102323	25	0010111-252323
11	0010111-112323	26	0010111-262323
12	0010111-122323	27	0010111-272323
13	0010111-132323	28	0010111-282323
14	0010111-142323	29	0010111-292323
15	0010111-152323	30	0010111-302323
16	0010111-162323	31	0010111-312323
17	0010111-172323	32	0010111-322323
18	0010111-182323		

1.00mm(0.039") Pitch
FFC/FPC Connector

0010112

Right Angle, SMT
Lower Contact



Specifications

Rating

Current Rating:0.5 Amp Max.
Voltage Rating:50V AC/DC Max.
Operating Temperature Range:-25°~+85°C

Electrical

Contact resistance:20m Ohm Max
Insulator resistance:500M ohm min.
Withstanding Voltage:250V AC/Minute

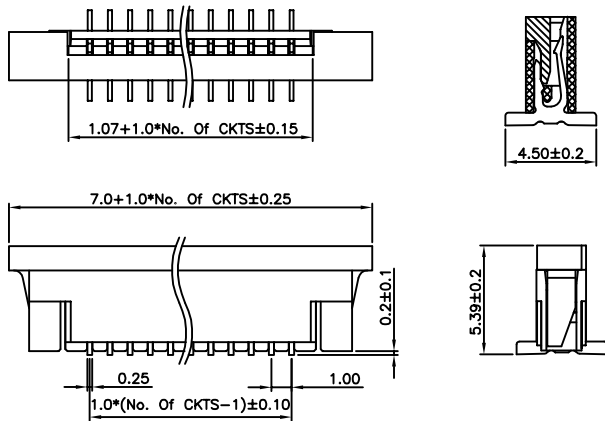
Material And Finish

Housing:LCP UL94V-0 Natural
Cover(ZIF):LCP UL94V-0 Black
Terminal:Phosphor Bronze,
Plating:Tin plated Over Nickel

No.of CKTS	Part No.	No.of CKTS	Part No.
04	0010112-042323	19	0010112-192323
05	0010112-052323	20	0010112-202323
06	0010112-062323	21	0010112-212323
07	0010112-072323	22	0010112-222323
08	0010112-082323	23	0010112-232323
09	0010112-092323	24	0010112-242323
10	0010112-102323	25	0010112-252323
11	0010112-112323	26	0010112-262323
12	0010112-122323	27	0010112-272323
13	0010112-132323	28	0010112-282323
14	0010112-142323	29	0010112-292323
15	0010112-152323	30	0010112-302323
16	0010112-162323	31	0010112-312323
17	0010112-172323	32	0010112-322323
18	0010112-182323		

1.00mm(0.039") Pitch
FFC/FPC Connector

0010123
Vertical, SMT
Normal Type



Specifications

Rating

Current Rating:0.5 Amp Max.
Voltage Rating:50V AC/DC Max.
Operating Temperature Range:-25~+85°C

Electrical

Contact resistance:20m Ohm Max
Insulator resistance:500M ohm min.
Withstanding Voltage:250V AC/Minute

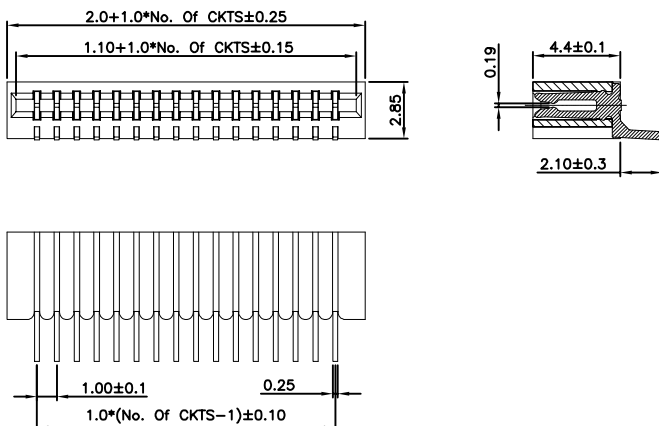
Material And Finish

Housing:LCP UL94V-0 Natural
Cover(ZIF):LCP UL94V-0 Black
Terminal:Phosphor Bronze,
Plating:Tin plated Over Nickel

No. of CKTS	Part No.	No. of CKTS	Part No.
04	0010123-042323	19	0010123-192323
05	0010123-052323	20	0010123-202323
06	0010123-062323	21	0010123-212323
07	0010123-072323	22	0010123-222323
08	0010123-082323	23	0010123-232323
09	0010123-092323	24	0010123-242323
10	0010123-102323	25	0010123-252323
11	0010123-112323	26	0010123-262323
12	0010123-122323	27	0010123-272323
13	0010123-132323	28	0010123-282323
14	0010123-142323	29	0010123-292323
15	0010123-152323	30	0010123-302323
16	0010123-162323	31	0010123-312323
17	0010123-172323	32	0010123-322323
18	0010123-182323		

1.00mm(0.039") Pitch
FFC/FPC Connector

0010131
Right Angle, SMT
Double Contact



Specifications

Rating

Current Rating:0.5 Amp Max.
Voltage Rating:50V AC/DC Max.
Operating Temperature Range:-25~+85°C

Electrical

Contact resistance:20m Ohm Max
Insulator resistance:500M ohm min.
Withstanding Voltage:250V AC/Minute

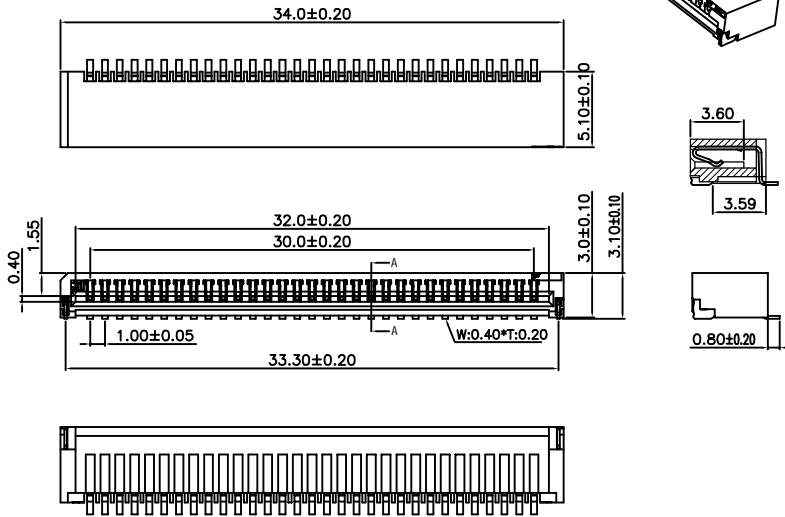
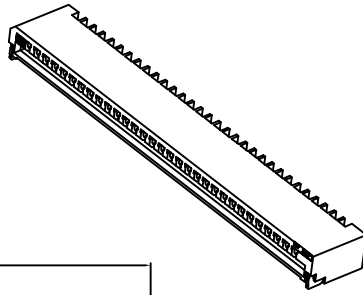
Material And Finish

Housing:LCP UL94V-0 Natural
Cover(ZIF):LCP UL94V-0 Black
Terminal:Phosphor Bronze,
Plating:Tin plated Over Nickel

No. of CKTS	Part No.	No. of CKTS	Part No.
04	0010131-042323	20	0010131-202323
05	0010131-052323	21	0010131-212323
06	0010131-062323	22	0010131-222323
07	0010131-072323	23	0010131-232323
08	0010131-082323	24	0010131-242323
09	0010131-092323	25	0010131-252323
10	0010131-102323	26	0010131-262323
11	0010131-112323	27	0010131-272323
12	0010131-122323	28	0010131-282323
13	0010131-132323	29	0010131-292323
14	0010131-142323	30	0010131-302323
15	0010131-152323	31	0010131-312323
16	0010131-162323	32	0010131-322323
17	0010131-172323	33	0010131-332323
18	0010131-182323	34	0010131-342323
19	0010131-192323	35	0010131-352323

1.00mm(0.039") Pitch
FFC/FPC Connector

0010191
Right Angle, SMT
Lower Contact



Specifications

Rating

Current Rating:0.5 Amp Max.
Voltage Rating:50V AC/DC Max.
Operating Temperature Range:-25°~+85°C

Electrical

Contact resistance:20m Ohm Max
Insulator resistance:500M ohm min.
Withstanding Voltage:250V AC/Minute

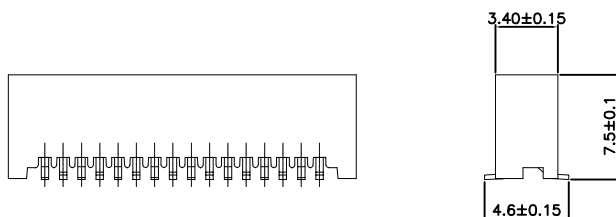
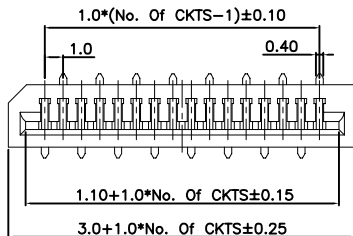
Material And Finish

Housing:Nylon 6T UL94V-0 Black
Terminal:Phosphor Bronze,
Plating:Tin plated Over Nickel

No.of CKTS	Part No.
31	0010191-312101

1.00mm(0.039") Pitch
FFC/FPC Connector

0010193
Vertical, SMT Non ZIF



Specifications

Rating

Current Rating:0.5 Amp Max.
Voltage Rating:50V AC/DC Max.
Operating Temperature Range:-25°~+85°C

Electrical

Contact resistance:20m Ohm Max
Insulator resistance:500M ohm min.
Withstanding Voltage:250V AC/Minute

Material And Finish

Housing:LCP UL94V-0 Natural
Cover(ZIF):LCP UL94V-0 Black
Terminal:Phosphor Bronze,
Plating:Tin plated Over Nickel

No.of CKTS	Part No.	No.of CKTS	Part No.
04	0010193-042321	20	0010193-202321
05	0010193-052321	21	0010193-212321
06	0010193-062321	22	0010193-222321
07	0010193-072321	23	0010193-232123
08	0010193-082321	24	0010193-242321
09	0010193-092321	25	0010193-252321
10	0010193-102321	26	0010193-262321
11	0010193-112321	27	0010193-272321
12	0010193-122321	28	0010193-282321
13	0010193-132321	29	0010193-292321
14	0010193-142321	30	0010193-302321
15	0010193-152321	31	0010193-312321
16	0010193-162321	32	0010193-322321
17	0010193-172321	33	0010193-332321
18	0010193-182321	34	0010193-342321
19	0010193-192321	35	0010193-352321

1.25mm(0.049") Pitch
FFC/FPC Connector

0012145

Vertical, Non ZIF

Specifications

Rating

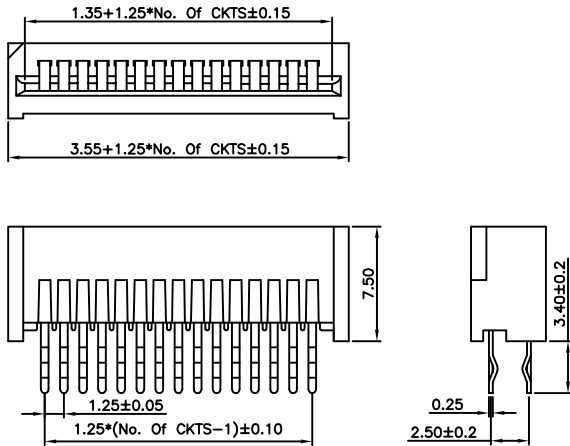
Current Rating:0.5 Amp Max.
Voltage Rating:50V AC/DC Max.
Operating Temperature Range:-25~+85°C

Electrical

Contact resistance:20m Ohm Max
Insulator resistance:500M ohm min.
Withstanding Voltage:250V AC/Minute

Material And Finish

Housing:Nylon 6T UL94V-0 Black
Terminal:Phosphor Bronze,
Plating:Tin plated Over Nickel



No.of CKTS	Part No.	No.of CKTS	Part No.
03	0012145-032121	22	0012145-222121
04	0012145-042121	23	0012145-212123
05	0012145-052121	24	0012145-242121
06	0012145-062121	25	0012145-252121
07	0012145-072121	26	0012145-262121
08	0012145-082121	27	0012145-272121
09	0012145-092121	28	0012145-282121
10	0012145-102121	29	0012145-292121
11	0012145-112121	30	0012145-302121
12	0012145-122121	31	0012145-312121
13	0012145-132121	32	0012145-322121
14	0012145-142121	33	0012145-332121
15	0012145-152121	34	0012145-342121
16	0012145-162121	35	0012145-352121
17	0012145-172121	36	0012145-362121
18	0012145-182121	37	0012145-372121
19	0012145-192121	38	0012145-382121
20	0012145-202121	39	0012145-392121
21	0012145-212121	40	0012145-402121

1.25mm(0.049") Pitch
FFC/FPC Connector

0012147

Right Angle, Non ZIF

Specifications

Rating

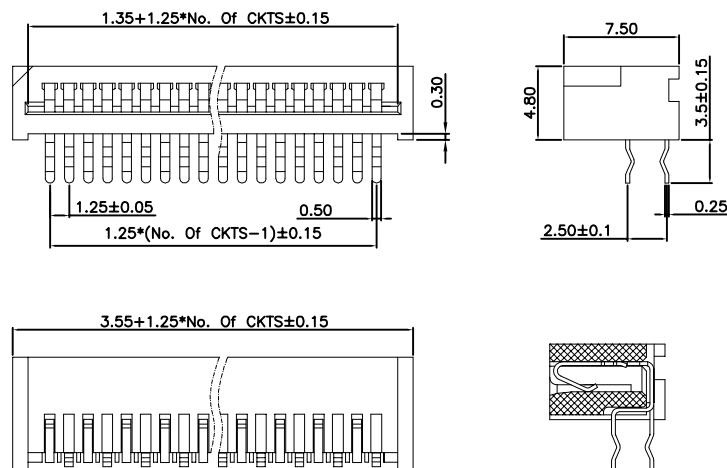
Current Rating:0.5 Amp Max.
Voltage Rating:50V AC/DC Max.
Operating Temperature Range:-25~+85°C

Electrical

Contact resistance:20m Ohm Max
Insulator resistance:500M ohm min.
Withstanding Voltage:250V AC/Minute

Material And Finish

Housing:Nylon 6T UL94V-0 Black
Terminal:Phosphor Bronze,
Plating:Tin plated Over Nickel

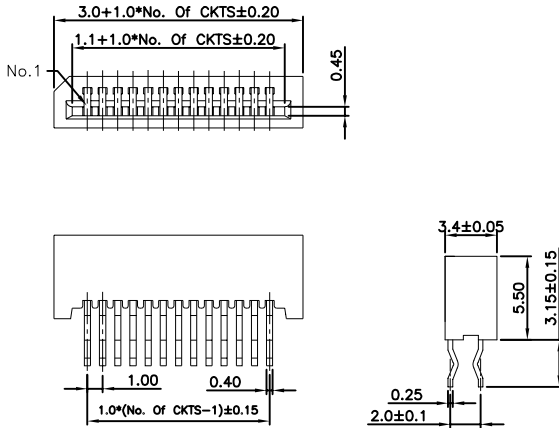


No.of CKTS	Part No.	No.of CKTS	Part No.
04	0012147-042121	23	0012147-212123
05	0012147-052121	24	0012147-242121
06	0012147-062121	25	0012147-252121
07	0012147-072121	26	0012147-262121
08	0012147-082121	27	0012147-272121
09	0012147-092121	28	0012147-282121
10	0012147-102121	29	0012147-292121
11	0012147-112121	30	0012147-302121
12	0012147-122121	31	0012147-312121
13	0012147-132121	32	0012147-322121
14	0012147-142121	33	0012147-332121
15	0012147-152121	34	0012147-342121
16	0012147-162121	35	0012147-352121
17	0012147-172121	36	0012147-362121
18	0012147-182121	37	0012147-372121
19	0012147-192121	38	0012147-382121
20	0012147-202121	39	0012147-392121
21	0012147-212121	40	0012147-402121
22	0012147-222121		

1.00mm(0.039") Pitch
FFC/FPC Connector

0010146

Vertical, Non ZIF



Specifications

Rating

Current Rating:0.5 Amp Max.
Voltage Rating:50V AC/DC Max.
Operating Temperature Range:-25~+85°C

Electrical

Contact resistance:40m Ohm Max
Insulator resistance:500M ohm min.
Withstanding Voltage:500V AC/Minute

Material And Finish

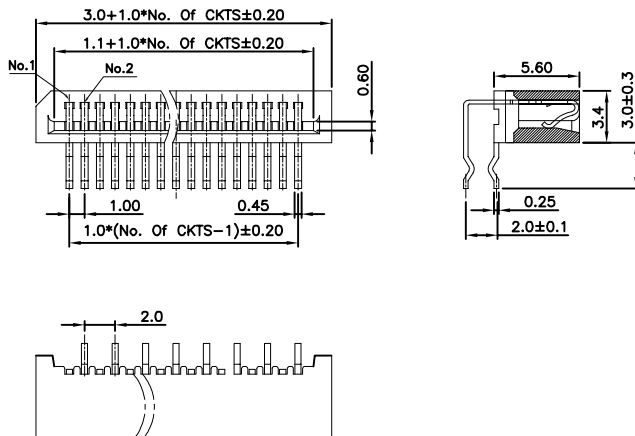
Housing:Nylon 46 UL94V-0 Natural
Terminal:Phosphor Bronze
Plating:Tin Or Matte Tin plated Over Nickel

No.of CKTS	Part No.	No.of CKTS	Part No.
04	0010146-042423	20	0010146-202423
05	0010146-052423	21	0010146-212423
06	0010146-062423	22	0010146-222423
07	0010146-072423	23	0010146-232423
08	0010146-082423	24	0010146-242423
09	0010146-092423	25	0010146-252423
10	0010146-102423	26	0010146-262423
11	0010146-112423	27	0010146-272423
12	0010146-122423	28	0010146-282423
13	0010146-132423	29	0010146-292423
14	0010146-142423	30	0010146-302423
15	0010146-152423	31	0010146-312423
16	0010146-162423	32	0010146-322423
17	0010146-172423	33	0010146-332423
18	0010146-182423	34	0010146-342423
19	0010146-192423	35	0010146-352423

1.00mm(0.039") Pitch
FFC/FPC Connector

0010147

Right Angle, Non ZIF



Specifications

Rating

Current Rating:0.5 Amp Max.
Voltage Rating:50V AC/DC Max.
Operating Temperature Range:-25~+85°C

Electrical

Contact resistance:40m Ohm Max
Insulator resistance:500M ohm min.
Withstanding Voltage:500V AC/Minute

Material And Finish

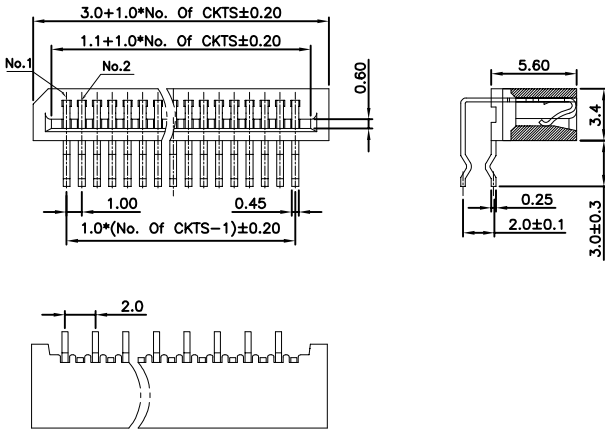
Housing:Nylon 46 UL94V-0 Natural
Terminal:Phosphor Bronze
Plating:Tin Or Matte Tin plated Over Nickel

No.of CKTS	Part No.	No.of CKTS	Part No.
04	0010147-042423	20	0010147-202423
05	0010147-052423	21	0010147-212423
06	0010147-062423	22	0010147-222423
07	0010147-072423	23	0010147-232423
08	0010147-082423	24	0010147-242423
09	0010147-092423	25	0010147-252423
10	0010147-102423	26	0010147-262423
11	0010147-112423	27	0010147-272423
12	0010147-122423	28	0010147-282423
13	0010147-132423	29	0010147-292423
14	0010147-142423	30	0010147-302423
15	0010147-152423	31	0010147-312423
16	0010147-162423	32	0010147-322423
17	0010147-172423	33	0010147-332423
18	0010147-182423	34	0010147-342423
19	0010147-192423	35	0010147-352423

1.00mm(0.039") Pitch
FFC/FPC Connector

0010148

Right Angle, Non ZIF



Specifications

Rating

Current Rating:0.5 Amp Max.
Voltage Rating:50V AC/DC Max.
Operating Temperature Range:-25~+85°C

Electrical

Contact resistance:40m Ohm Max
Insulator resistance:500M ohm min.
Withstanding Voltage:500V AC/Minute

Material And Finish

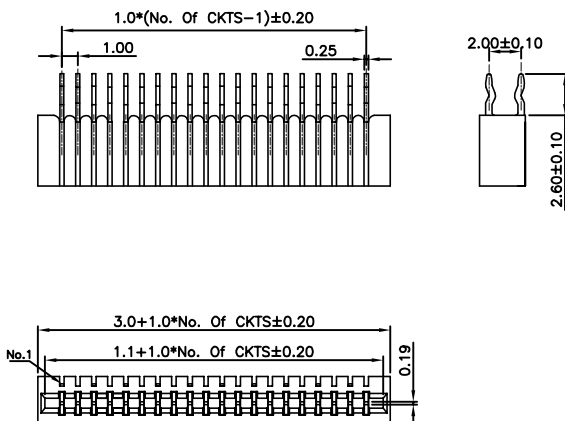
Housing:Nylon 46 UL94V-0 Natural
Terminal:Phosphor Bronze
Plating:Tin Or Matte Tin plated Over Nickel

No.of CKTS	Part No.	No.of CKTS	Part No.
04	0010148-042423	20	0010148-202423
05	0010148-052423	21	0010148-212423
06	0010148-062423	22	0010148-222423
07	0010148-072423	23	0010148-232423
08	0010148-082423	24	0010148-242423
09	0010148-092423	25	0010148-252423
10	0010148-102423	26	0010148-262423
11	0010148-112423	27	0010148-272423
12	0010148-122423	28	0010148-282423
13	0010148-132423	29	0010148-292423
14	0010148-142423	30	0010148-302423
15	0010148-152423	31	0010148-312423
16	0010148-162423	32	0010148-322423
17	0010148-172423	33	0010148-332423
18	0010148-182423	34	0010148-342423
19	0010148-192423	35	0010148-352423

1.00mm(0.039") Pitch
FFC/FPC Connector

0010155

Vertical, Non ZIF



Specifications

Rating

Current Rating:0.4 Amp Max.
Voltage Rating:50V AC/DC Max.
Operating Temperature Range:-20~+80°C

Electrical

Contact resistance:20m Ohm Max
Insulator resistance:500M ohm min.
Withstanding Voltage:200V AC/Minute

Material And Finish

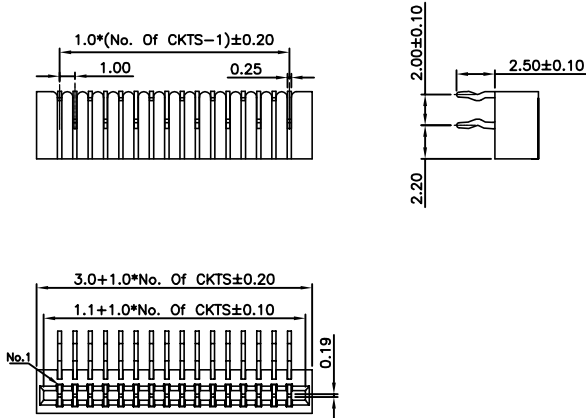
Housing:LCP UL94V-0 Black
Terminal:Copper Alloy
Plating:Tin Or Matte Tin plated Over Nickel

No.of CKTS	Part No.	No.of CKTS	Part No.
04	0010155-042303	20	0010155-202303
05	0010155-052303	21	0010155-212303
06	0010155-062303	22	0010155-222303
07	0010155-072303	23	0010155-232303
08	0010155-082303	24	0010155-242303
09	0010155-092303	25	0010155-252303
10	0010155-102303	26	0010155-262303
11	0010155-112303	27	0010155-272303
12	0010155-122303	28	0010155-282303
13	0010155-132303	29	0010155-292303
14	0010155-142303	30	0010155-302303
15	0010155-152303	31	0010155-312303
16	0010155-162303	32	0010155-322303
17	0010155-172303	33	0010155-332303
18	0010155-182303	34	0010155-342303
19	0010155-192303	35	0010155-352303

1.00mm(0.039") Pitch
FFC/FPC Connector

0010157

Right Angle, Non ZIF



Specifications

Rating

Current Rating:0.4 Amp Max.
Voltage Rating:50V AC/DC Max.
Operating Temperature Range:-20°~+80°C

Electrical

Contact resistance:20m Ohm Max
Insulator resistance:500M ohm min.
Withstanding Voltage:200V AC/Minute

Material And Finish

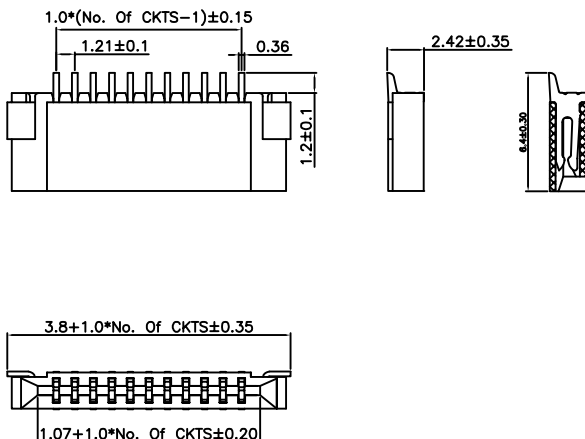
Housing:LCP UL94V-0 Black
Terminal:Copper Alloy
Plating:Tin Or Matte Tin plated Over Nickel

No.of CKTS	Part No.	No.of CKTS	Part No.
04	0010157-042303	20	0010157-202303
05	0010157-052303	21	0010157-212303
06	0010157-062303	22	0010157-222303
07	0010157-072303	23	0010157-232303
08	0010157-082303	24	0010157-242303
09	0010157-092303	25	0010157-252303
10	0010157-102303	26	0010157-262303
11	0010157-112303	27	0010157-272303
12	0010157-122303	28	0010157-282303
13	0010157-132303	29	0010157-292303
14	0010157-142303	30	0010157-302303
15	0010157-152303	31	0010157-312303
16	0010157-162303	32	0010157-322303
17	0010157-172303	33	0010157-332303
18	0010157-182303	34	0010157-342303
19	0010157-192303	35	0010157-352303

1.00mm(0.039") Pitch
FFC/FPC Connector

0010201

Right Angle, SMT,ZIF



Specifications

Rating

Current Rating:0.5 Amp Max.
Voltage Rating:50V AC/DC Max.
Operating Temperature Range:-40°~+105°C

Electrical

Contact resistance:40m Ohm Max
Insulator resistance:500M ohm min.
Withstanding Voltage:200V AC/Minute

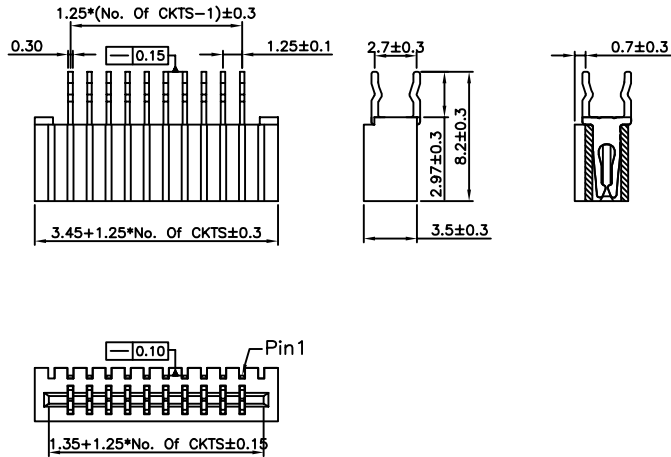
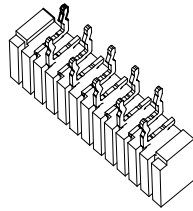
Material And Finish

Insulator:High Temp. Thermalplastic UL94V-0
Contact:Copper Alloy,
Plating:Tin or Matte Tin Plated Over Nickel

No.of CKTS	Part No.	No.of CKTS	Part No.
04	0010201-042323	20	0010201-202323
05	0010201-052323	21	0010201-212323
06	0010201-062323	22	0010201-222323
07	0010201-072323	23	0010201-232323
08	0010201-082323	24	0010201-242323
09	0010201-092323	25	0010201-252323
10	0010201-102323	26	0010201-262323
11	0010201-112323	27	0010201-272323
12	0010201-122323	28	0010201-282323
13	0010201-132323	29	0010201-292323
14	0010201-142323	30	0010201-302323
15	0010201-152323	31	0010201-312323
16	0010201-162323	32	0010201-322323
17	0010201-172323	33	0010201-332323
18	0010201-182323	34	0010201-342323
19	0010201-192323		

1.25mm(0.049") Pitch
FFC/FPC Connector

0012115
Vertical, Non ZIF



Specifications

Rating

Current Rating:0.5 Amp
Voltage Rating:50V AC/DC
Operating Temperature Range:−25°~+85°C

Electrical

Contact resistance:40m Ohm Max
Insulator resistance:800M ohm min.
Withstanding Voltage:200V AC/Minute

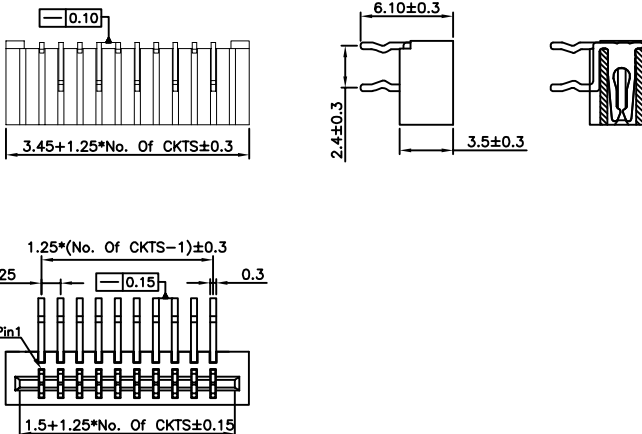
Material And Finish

Housing:LCP UL94V-0 Black
Terminal:Phosphor Bronze,
Plating:Tin,Matte Tin or Gold plated Over Nickel.

No.of CKTS	Part No.	No.of CKTS	Part No.
04	0012115-042301	19	0012115-192301
05	0012115-052301	20	0012115-202301
06	0012115-062301	21	0012115-212301
07	0012115-072301	22	0012115-222301
08	0012115-082301	23	0012115-232301
09	0012115-092301	24	0012115-242301
10	0012115-102301	25	0012115-252301
11	0012115-112301	26	0012115-262301
12	0012115-122301	27	0012115-272301
13	0012115-132301	28	0012115-282301
14	0012115-142301	29	0012115-292301
15	0012115-152301	30	0012115-302301
16	0012115-162301	31	0012115-312301
17	0012115-172301	32	0012115-322301
18	0012115-182301	33	0012115-332301

1.25mm(0.049") Pitch
FFC/FPC Connector

0012117
Right Angle, Non ZIF



Specifications

Rating

Current Rating:0.5 Amp
Voltage Rating:50V AC/DC
Operating Temperature Range:−25°~+85°C

Electrical

Contact resistance:40m Ohm Max
Insulator resistance:800M ohm min.
Withstanding Voltage:200V AC/Minute

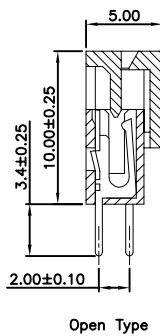
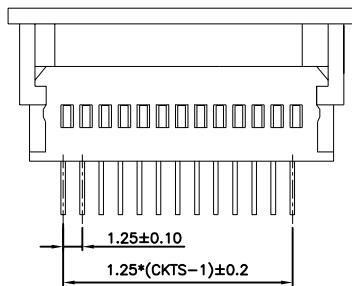
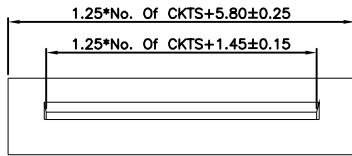
Material And Finish

Housing:LCP UL94V-0 Black
Terminal:Phosphor Bronze,
Plating:Tin,Matte Tin or Gold plated Over Nickel.

No.of CKTS	Part No.	No.of CKTS	Part No.
04	0012117-042301	19	0012117-192301
05	0012117-052301	20	0012117-202301
06	0012117-062301	21	0012117-212301
07	0012117-072301	22	0012117-222301
08	0012117-082301	23	0012117-232301
09	0012117-092301	24	0012117-242301
10	0012117-102301	25	0012117-252301
11	0012117-112301	26	0012117-262301
12	0012117-122301	27	0012117-272301
13	0012117-132301	28	0012117-282301
14	0012117-142301	29	0012117-292301
15	0012117-152301	30	0012117-302301
16	0012117-162301	31	0012117-312301
17	0012117-172301	32	0012117-322301
18	0012117-182301	33	0012117-332301

1.25mm(0.049") Pitch
FFC/FPC Connector

0012125
Vertical



Specifications

Rating

Current Rating:1.0 Amp
Voltage Rating:200V AC/DC
Operating Temperature Range:-40°~+105°C

Electrical

Contact resistance:20m Ohm Max
Insulator resistance:500M ohm min.
Withstanding Voltage:500V AC/Minute

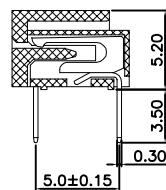
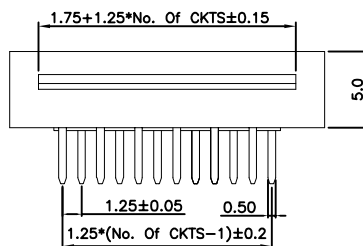
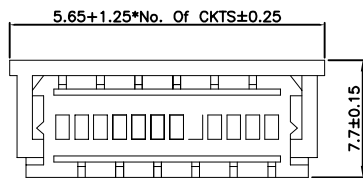
Material And Finish

Housing:Nylon 6T UL94V-0 Natural
Terminal:Phosphor Bronze,
Plating:Tin plated Over Nickel

No. of CKTS	Part No.	No. of CKTS	Part No.
03	0012125-032123	18	0012125-182123
04	0012125-042123	19	0012125-192123
05	0012125-052123	20	0012125-202123
06	0012125-062123	21	0012125-212123
07	0012125-072123	22	0012125-222123
08	0012125-082123	23	0012125-212123
09	0012125-092123	24	0012125-242123
10	0012125-102123	25	0012125-252123
11	0012125-112123	26	0012125-262123
12	0012125-122123	27	0012125-272123
13	0012125-132123	28	0012125-282123
14	0012125-142123	29	0012125-292123
15	0012125-152123	30	0012125-302123
16	0012125-162123	31	0012125-312123
17	0012125-172123	32	0012125-322123

1.25mm(0.049") Pitch
FFC/FPC Connector

0012137
Right Angle, Non ZIF



Specifications

Rating

Current Rating:1.0 Amp
Voltage Rating:200V AC/DC
Operating Temperature Range:-40°~+105°C

Electrical

Contact resistance:20m Ohm Max
Insulator resistance:500M ohm min.
Withstanding Voltage:500V AC/Minute

Material And Finish

Housing:Nylon 6T UL94V-0 Natural
Terminal:Phosphor Bronze,
Plating:Tin plated Over Nickel

No. of CKTS	Part No.	No. of CKTS	Part No.
03	0012137-032123	18	0012137-182123
04	0012137-042123	19	0012137-192123
05	0012137-052123	20	0012137-202123
06	0012137-062123	21	0012137-212123
07	0012137-072123	22	0012137-222123
08	0012137-082123	23	0012137-212123
09	0012137-092123	24	0012137-242123
10	0012137-102123	25	0012137-252123
11	0012137-112123	26	0012137-262123
12	0012137-122123	27	0012137-272123
13	0012137-132123	28	0012137-282123
14	0012137-142123	29	0012137-292123
15	0012137-152123	30	0012137-302123
16	0012137-162123	31	0012137-312123
17	0012137-172123	32	0012137-322123